

REV. NO.	DATE	DRWN	CHKD	REMARKS

DESIGNED BY: _____
 DRAWN BY: _____
 SHEET CHK'D BY: _____
 CROSS CHK'D BY: _____
 APPROVED BY: _____
 DATE: NOVEMBER 2009

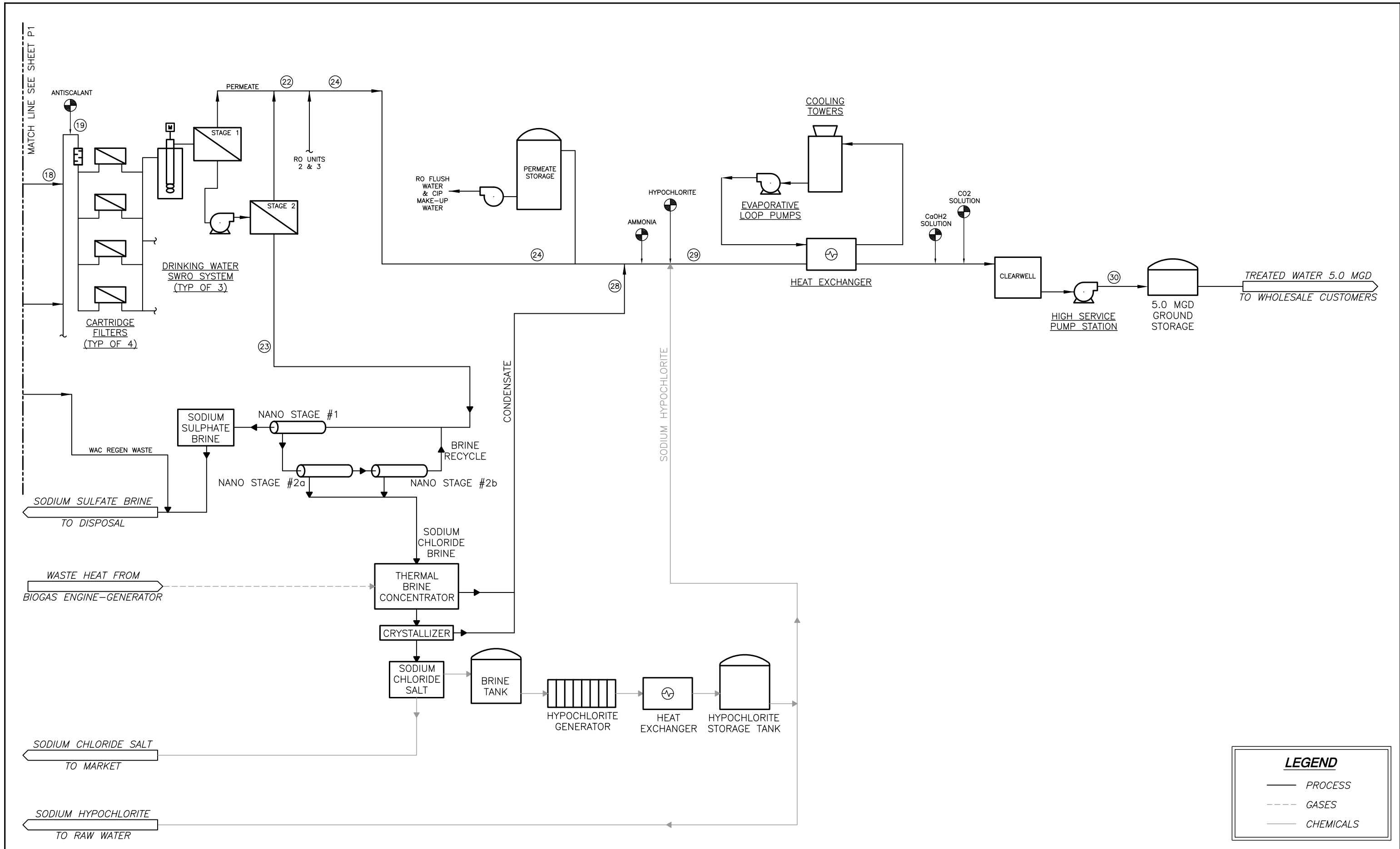
CDM
 Camp Dresser & McKee
 6000 Uptown Blvd, Suite 200
 Albuquerque, New Mexico 87110
 Tel: (505) 243-3200
 consulting • engineering • construction • operations

UNIVERSAL
 ASSET MANAGEMENT
 801 WESTCHESTER AVENUE
 HARRISONVILLE, MO 64701
 (816) 887-4008

SANDOVAL COUNTY DESALINATION PROJECT

PROCESS FLOW DIAGRAM
 1 OF 2

PROJECT NO. _____
 FILE NAME: _____
 SHEET NO. **P1**



REV. NO.	DATE	DRWN	CHKD	REMARKS

DESIGNED BY: _____
 DRAWN BY: _____
 SHEET CHK'D BY: _____
 CROSS CHK'D BY: _____
 APPROVED BY: _____
 DATE: NOVEMBER 2009

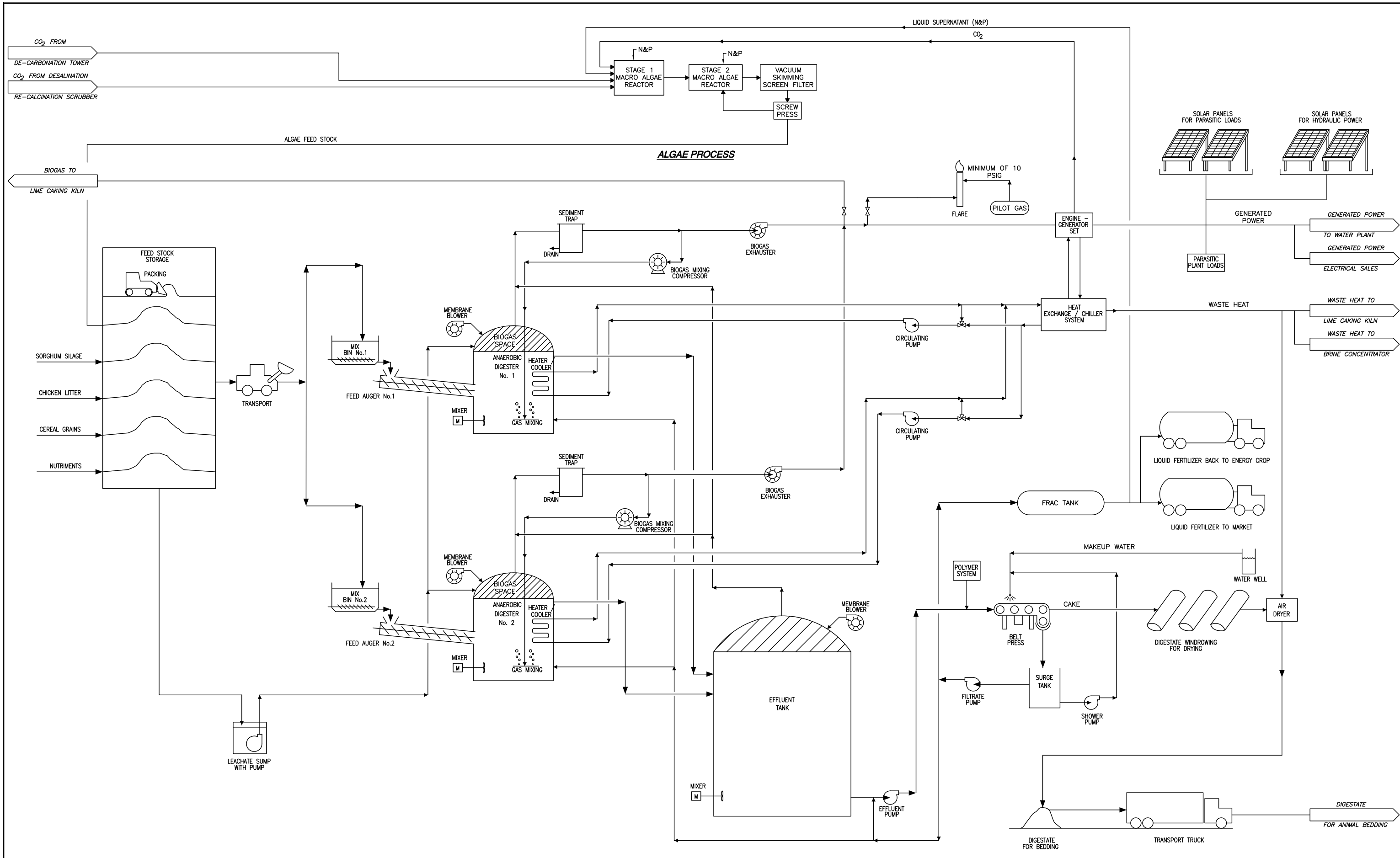
CDM
 Camp Dresser & McKee
 6000 Uptown Blvd, Suite 200
 Albuquerque, New Mexico 87110
 Tel: (505) 243-3200
 consulting • engineering • construction • operations

UNIVERSAL
 ASSET MANAGEMENT
 801 WESTCHESTER AVENUE
 HARRISONVILLE, MO 64701
 (816) 887-4008

SANDOVAL COUNTY DESALINATION PROJECT

PROCESS FLOW DIAGRAM
 2 OF 2

PROJECT NO. _____
 FILE NAME: _____
 SHEET NO. **P2**



REV. NO.	DATE	DRWN	CHKD	REMARKS

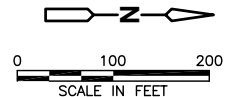
DESIGNED BY: _____
 DRAWN BY: _____
 SHEET CHK'D BY: _____
 CROSS CHK'D BY: _____
 APPROVED BY: _____
 DATE: NOVEMBER 2009



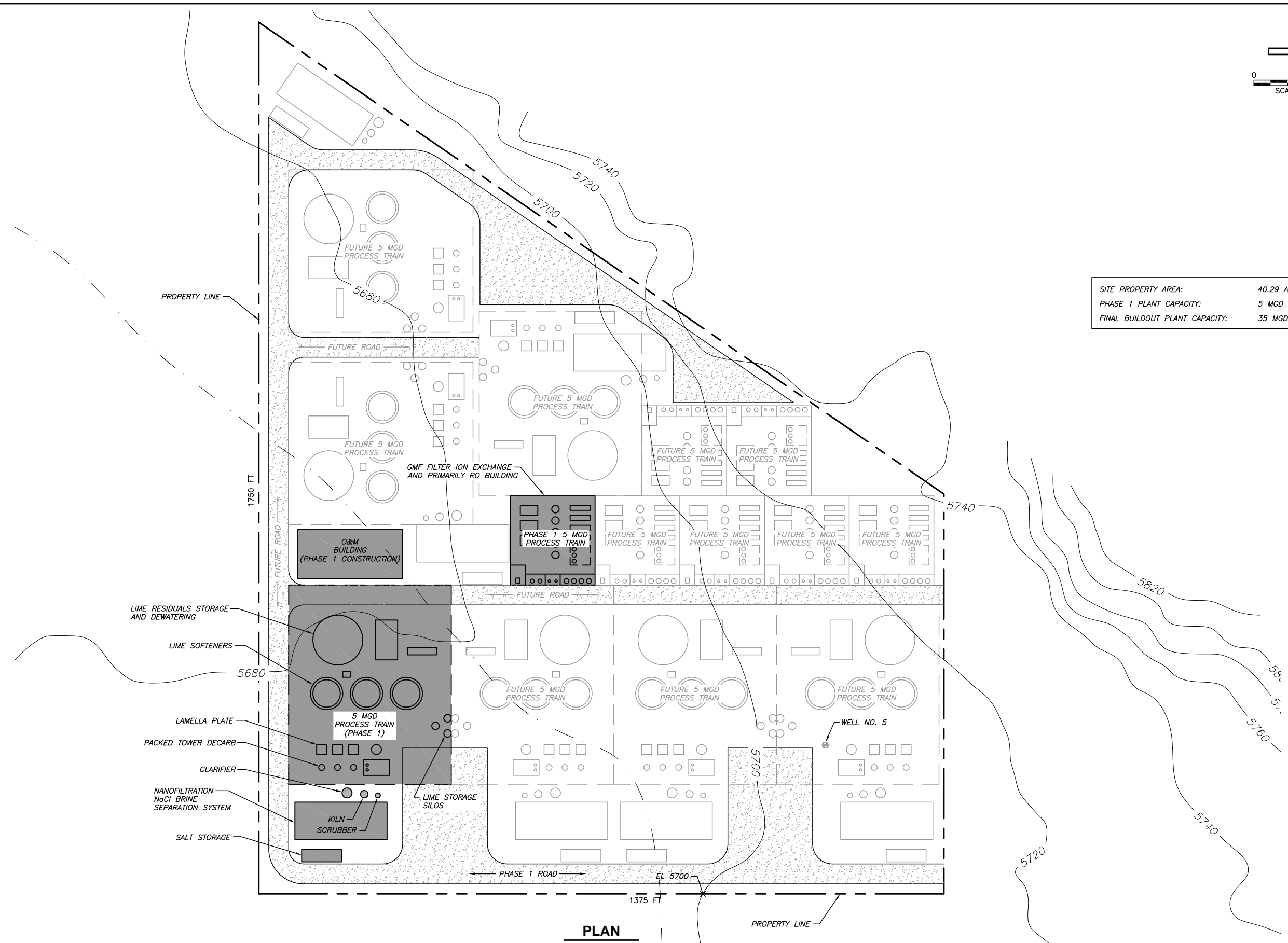
SANDOVAL COUNTY DESALINATION PROJECT

RENEWABLE ENERGY PROCESS

PROJECT NO.	
FILE NAME:	
SHEET NO.	P3



SITE PROPERTY AREA: 40.29 ACRES
 PHASE 1 PLANT CAPACITY: 5 MGD
 FINAL BUILDOUT PLANT CAPACITY: 35 MGD



PLAN

REV. NO.	DATE	DRWN	CHKD	REMARKS

DESIGNED BY: _____
 DRAWN BY: _____
 SHEET CHK'D BY: _____
 CROSS CHK'D BY: _____
 APPROVED BY: _____
 DATE: NOVEMBER 2009

CDM
 Camp Dresser & McKee
 6000 Uptown Blvd, Suite 200
 Albuquerque, New Mexico 87110
 Tel: (505) 243-3200
 consulting • engineering • construction • operations

UNIVERSAL
 ASSET MANAGEMENT
 801 WESTCHESTER AVENUE
 HARRISONVILLE, MO 64701
 (816) 887-4008

SANDOVAL COUNTY DESALINATION PROJECT

OVERALL SITE PLAN

PROJECT NO. _____
 FILE NAME: _____
 SHEET NO. **C1**